

BRISK[®]

FOOT OPERATING SOLUTIONS



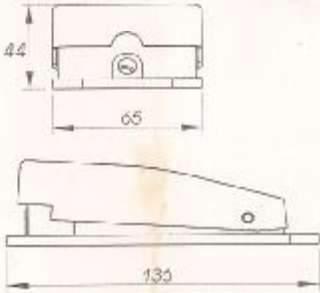
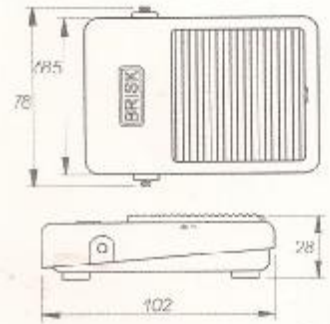
Foot switches are widely used for operating various machines like Power-presses, Drill Machines, Packaging machines, Spot & Tig welders, Conveyors, Electro & Biomedical Equipments and also used in circuits of machines like Textile, Medicine and Automatic Production line.

• **QUALITY** • **SERVICE** • **RELIABILITY** • **DESIGN FLEXIBILITY** • **LATEST TECHNOLOGY**



BFS-01

10A-250 Volt AC. ; (Push to ON Release to Off)
Contacts : 1NO + 1NC
Body : Aluminum Pressure Die-Casting
Weight : 160 Gms. Approx.



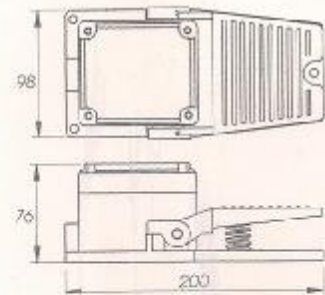
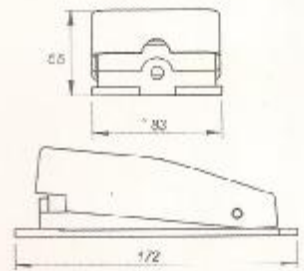
BFS-02

10A-250 Volt AC. ; (Push to ON Release to Off)
Contacts : 1NO + 1NC
 10A-250 Volt AC. ; (Push to ON Push to Off)
Contacts : 1NO
Body : Aluminum Pressure Die-Casting
Weight : 250 Gms. Approx.



BFS-03

10A-250 Volt AC. ; (Push to ON Release to Off)
Contacts : 1NO + 1NC
 10A-250 Volt AC. ; (Push to ON Push to Off)
Contacts : 1NO
Body : Aluminum Pressure Die-Casting
Weight : 400 Gms. Approx.



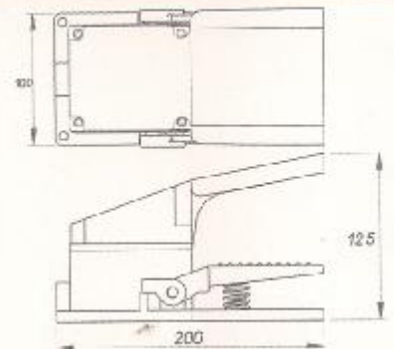
BFS-04

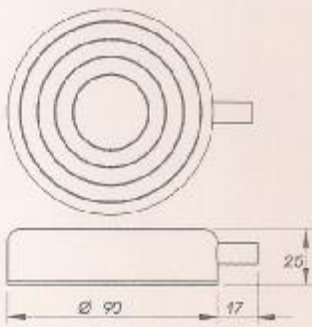
10A-250 Volt AC. ; (Push to ON Release to Off)
 10A-500 Volt AC. ; (Push to ON Release to Off)
Contacts : 1NO + 1NC
 10A-500 Volt AC. ; (Push to ON Release to Off)
Contacts : 2NO+2NC
 10A-250 Volt AC. ; (Push to ON Push to Off)
Contacts : 1NO
Body : Aluminum Pressure Die-Casting
Weight : 750 Gms. Approx.



BFS-05

10A-250 Volt AC. ; (Push to ON Release to Off)
 10A-500 Volt AC. ; (Push to ON Release to Off)
Contacts : 1NO + 1NC
 10A-500 Volt AC. ; (Push to ON Release to Off)
Contacts : 2NO+2NC
 10A-250 Volt AC. ; (Push to ON Push to Off)
Contacts : 1NO
Body : Aluminum Pressure Die-Casting
Weight : 900 Gms. Approx.





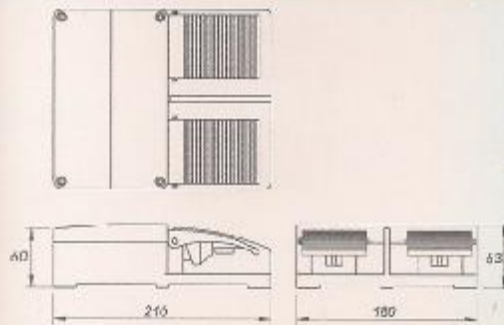
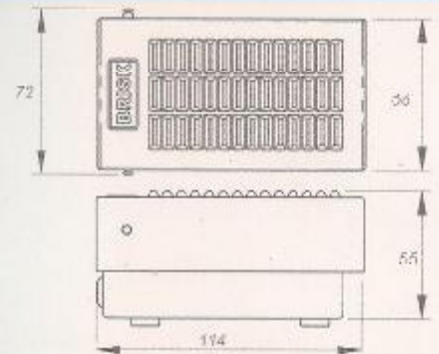
BFS-06

Capsule
 6A-250 Volt AC ; (Push to ON Release to Off)
Contacts : 1NO
Body : Rubber
Weight : 250 Gms. Approx.



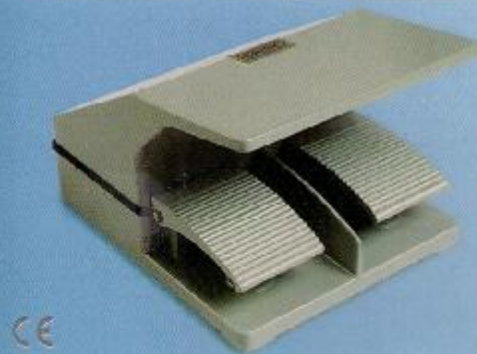
BFS-07

Trigger
 10A-250 Volt AC.
Contacts : 1NO + 1NC
Body : Aluminum Pressure Die-Casting
Weight : 350 Gms. Approx.



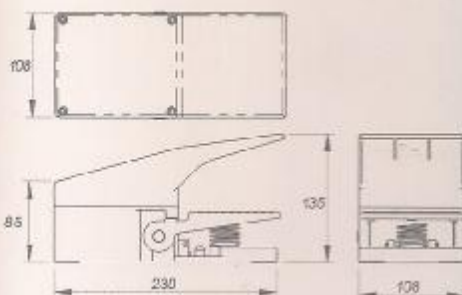
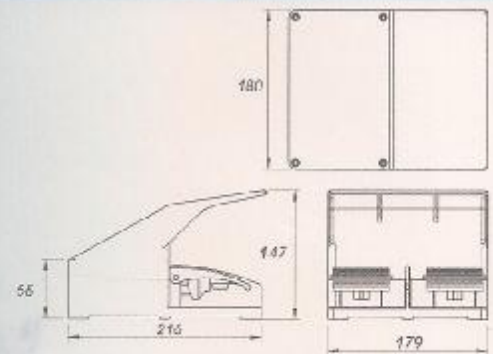
BFS-08

Twin Foot Switch
 10A-250 Volt AC.
Contacts : 1NO + 1NC
Body : Aluminum Casting
Weight : 1540 Gms. Approx.



BFS-09

Twin Foot Switch
 10A-250 Volt AC.
Contacts : 1NO + 1NC
Body : Aluminum Casting
Weight : 2300 Gms. Approx.



BFS-10

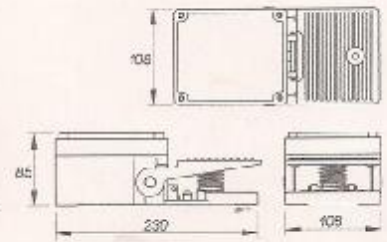
Heavy-Duty
 10A-500 Volt AC.
Contacts 1NO+1NC. (S S)
 10A-500 Volt AC. **Contacts** 2NO+2NC. (S S)
 10A-500 Volt AC. **Contacts** 1NO+1NC. (D S)
 10A-500 Volt AC. **Contacts** 2NO+2NC. (D S)
Body : Aluminum Pressure Die-Casting
Weight : 1500 Gms. Approx.



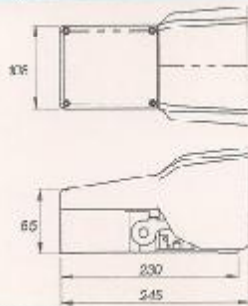


BFS-11

Heavy-Duty
 10A-500 Volt AC. Contacts 1NO+1NC. (Single Switch)
 10A-500 Volt AC. Contacts 2NO+2NC. (Single Switch)
 10A-500 Volt AC. Contacts 1NO+1NC. (Double Switch)
 10A-500 Volt AC. Contacts 2NO+2NC. (Double Switch)
Body : Aluminum Pressure Die-Casting
Weight : 1000 Gms. Approx.



CE



BFS-12

Heavy-Duty
 10A-500 Volt AC. Contacts 1NO+1NC. (Single Switch)
 10A-500 Volt AC. Contacts 2NO+2NC. (Single Switch)
 10A-500 Volt AC. Contacts 1NO+1NC. (Double Switch)
 10A-500 Volt AC. Contacts 2NO+2NC. (Double Switch)
Body : Aluminum Pressure Die-Casting
Weight : 1850 Gms. Approx.

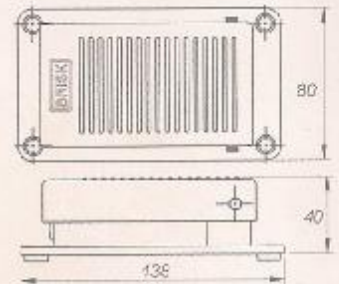


CE

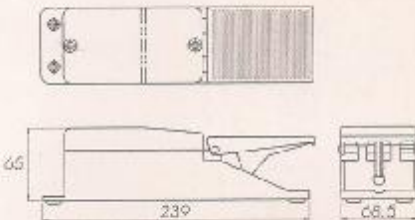


BFS-13

Popular
 10A-250 Volt AC. ; (Push to ON Release to Off)
Contacts : 1NO + 1NC
 10A-250 Volt AC. ; (Push to ON Push to Off)
Contacts : 1NO
Body : Aluminum Pressure Die-Casting
Weight : 300 Gms. Approx.



CE



BFS-14

10A-250 Volt AC. ; (Push to ON Release to Off)
Contacts : 1NO + 1NC
 10A-250 Volt AC. ; (Push to ON Push to Off)
Contacts : 1NO
 AC Variable Speed Control Foot Switch.
 6A-125 V AC / 4A-250 V AC
Body : Aluminum Pressure Die-Casting
Weight : 800 Gms. Approx.

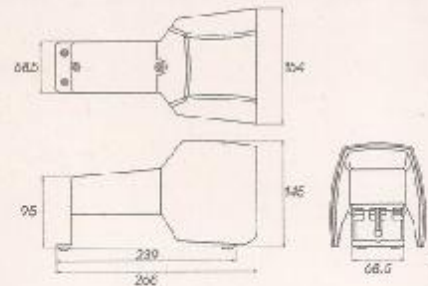


CE



BFS-15

10A-250 Volt AC. ; (Push to ON Release to Off)
Contacts : 1NO + 1NC
 10A-250 Volt AC. ; (Push to ON Push to Off)
Contacts : 1NO
 AC Variable Speed Control Foot Switch.
 6A-125 V AC / 4A-250 V AC
Body : Aluminum Pressure Die-Casting
Weight : 1514 Gms. Approx.



CE

Manufactured By:

BRISK INDUSTRIES

Micro Switches, Foot Switches, Limit Switches,
 At Post : Kandali, Dist.: Pune 412 412. Maharashtra, India.
Mobile : 9833714805 / 9833872107
E-mail : briskbk@yahoo.com / info@brisk.co.in